

BASO 2.5 PERIMETER



Catalog Number Example

BASO 2.5-PM-RTR-BL-OP-30K-C80-UNV-010V-SEN-455LF-NLC-ST-96IN

A RANGE

BASO 2.5 BASO 2 . 5

B SUB CATEGORY

Perimeter PM

C MOUNTING

CS Recessed trimless	R T L
CS Recessed with trim	R T R
CS Armstrong Suprafine 9/16" G	A 9 G
CS Armstrong Interlude 9/16" SG	A 9 S
CS Armstrong Silhouette 9/16" BSG	A 9 S
CS Armstrong Prelude 15/16" G	A 1 5
CS 9/16" Grid (any brand)	G R D
CS 9/16" Slot Grid (any brand)	G R D
CS 15/16" Grid (any brand)	G R D
Custom	X X X

D COLOR

CS White	W H
CS Black	B L
Gray	G R
Custom color RAL	X X

trimless version available in white only

E LENS REGRESSION

HP opal cover flush	O P
HP opal cover 1" regressed	O 1
HP opal cover 2" regressed	O 2

fixture depth is field-adjustable

F END CAP DETAIL

Trim endcap (RTR only)	T R
Trimless endcap - wall to wall	T L
Invisible endcap - wall to wall	I N

G CCT

2700K	2 7 K
CS 3000K	3 0 K
CS 3500K	3 5 K
4000K	4 0 K

H CRI

CRI > 80	C 8 0
CRI > 90	C 9 0

I VOLTAGE

120V / 277V UNV

J DIMMING

CS 0-10V 1%	0 1 0 V
Lutron EcoSystem	L E S 1
Quantum, Vive, GRAFIK Eye, HomeWorks	
Power over ethernet	P O E C
consult customer service for compatibility	
Custom dimming	X X X X
consult customer service for compatibility	

K SENSOR (optional)

Integrated Sensor S E N
consult customer service for sensor request

L OUTPUT LM/FT

CS 500lm/ft 100% ↓	0 5 0 0 L F
CS 750lm/ft 100% ↓	0 7 5 0 L F
CS 1000lm/ft 100% ↓	1 0 0 0 L F
Custom lm/ft	X X X X L F

custom lumen up to 1200 lm/ft

M CIRCUIT / EM

CS Single circuit	*
EMC night light circuit	N L C
EMB available in 4ft and 8ft	E M #

* leave blank

N SHAPE / PATTERN

CS Linear / straight	S T
CS Linear / straight + flex inset	S F

includes 1ft. field-cutable section; only available for 4' and 8' segments

L-shape	L S
□-shape (rectangular shape)	R S
U-shape	U S
Custom shape	X X

for grid applications using L-shape, rectangular shape or U-shape, please contact customer service for availability

O DIMENSIONS IN INCH

Linear 2'	2 4 I N
CS Linear 4'	4 8 I N
CS Linear 6'	7 2 I N
CS Linear 8'	9 6 I N
Linear custom	### I N
Linear flex inset	### I N
field-cutable section	
L-Shape	### X ### I N
U-Shape	### X ### X ### I N
□-Shape	### X ### I N

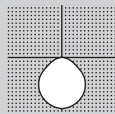
for lengths including flex insets, round up to the nearest total foot length

P CERTIFICATION (optional)

Chicago Plenum	C C E A
Red List Approved	R L A

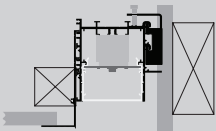
PERFORMANCE

- Up to 106lm/W efficiency
- 455 / 750lm/ft
- CRI > 80 & CRI > 90
- IC & Damp rated



MOUNTING

Perimeter



PATTERNS



Angular



Rectangular

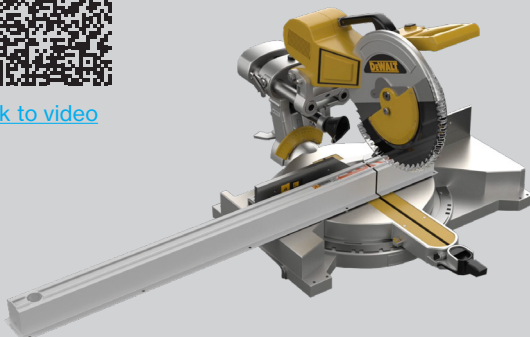
For customization, please contact customer service

FIELD-CUTTABLE FLEX

Down to 1/16"





[link to video](#)



BASO
basolighting.com
xalusa.com

Technical data

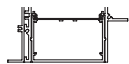
	SIZE TYPE	LED COLOR TEMPERATURE	INPUT WATTS	DELIVERED LM TOTAL	LIGHT DISTRIBUTION	DELIVERED LM DIRECT	DELIVERED LM INDIRECT	OPTICAL EFFICIENCY	LUMINAIRE EFFICACY
BASO DIRECT									
 e LED	2' linear	40K	8.7W	900lm	100% down	455 lm/ft	-	74%	106lm/W
	4' linear		17.5W	2200lm					
	6' linear		25.8W	2700lm					
	8' linear		34.4W	4400lm					
	2' + 2' corner		17.5W	4400lm					
 e² LED	2' linear	40K	14.7W	1500lm	100% down	750 lm/ft	-	74%	102lm/W
	4' linear		29.5W	3000lm					
	6' linear		44.2W	4500lm					
	8' linear		59W	6000lm					
	2' + 2' corner		29.5W	6000lm					

for 30K or 35K multiply lm value by 0.96

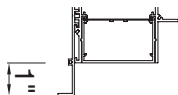
Perimeter depth

field adjustable

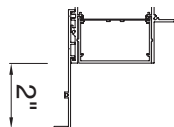
FLUSH



REGRESSED 1"

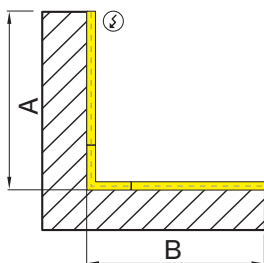


REGRESSED 2"

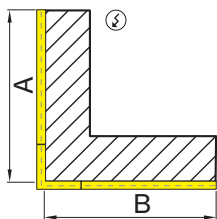


Patterns top view

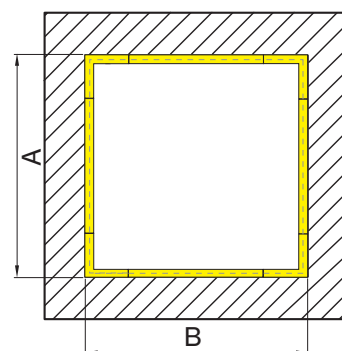
L-SHAPE inside corner



L-SHAPE outside corner

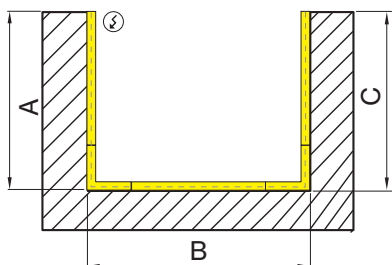


□-SHAPE inside corner

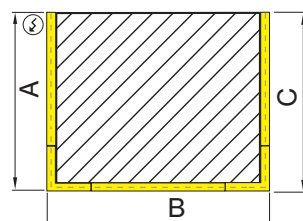


A / B	FIXTURES	CODE
48" / 48"	2 × 2' linear + 1 × 2' × 2' corner	0 4 X 0 4 F T
48" / 96"	1 × 2' linear + 1 × 6' linear + 1 × 2' × 2' corner	0 4 X 0 8 F T
96" / 96"	2 × 6' linear + 1 × 2' × 2' corner	0 8 X 0 8 F T

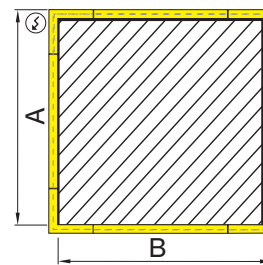
U-SHAPE inside corner



U-SHAPE outside corner



□-SHAPE outside corner

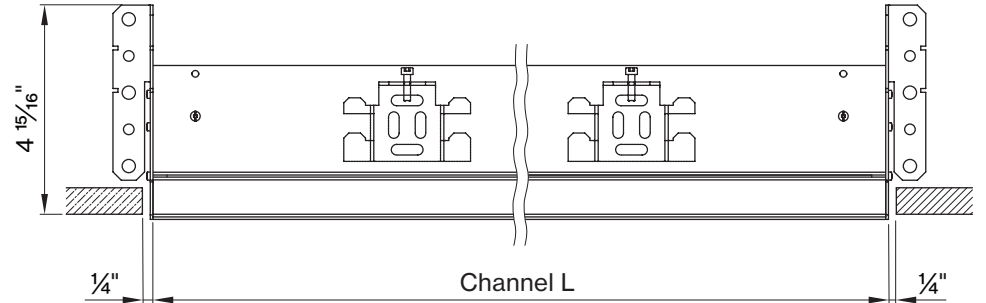
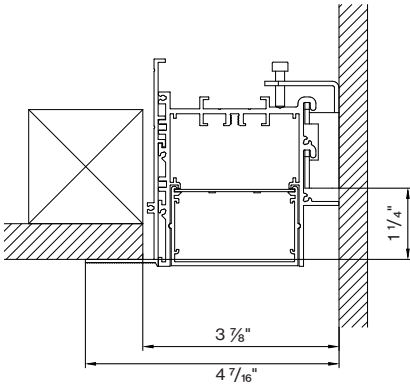


A / B / C	FIXTURES	CODE	A / B	FIXTURES	CODE
48" / 48" / 48"	2 × 2' linear + 2 × 2' × 2' corner	0 4 X 0 4 X 0 4 F T	48" / 48"	4 × 2' × 2' corner	0 4 X 0 4 F T
48" / 96" / 48"	1 × 4' linear + 2 × 2' linear + 2 × 2' × 2' corner	0 4 X 0 8 X 0 4 F T	48" / 96"	2 × 4' linear + 4 × 2' × 2' corner	0 4 X 0 8 F T
48" / 144" / 48"	1 × 8' linear + 2 × 2' linear + 2 × 2' × 2' corner	0 4 X 1 2 X 0 4 F T	96" / 96"	4 × 4' linear + 4 × 2' × 2' corner	0 8 X 0 8 F T

DIMENSIONS

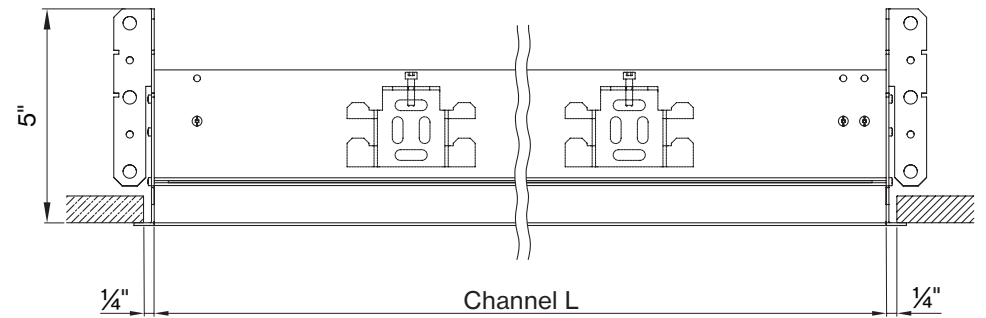
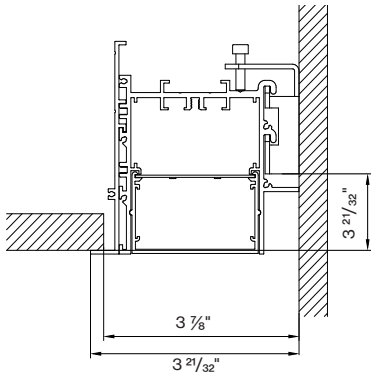
BASO 2.5 PERIMETER

trimless flush



please see BASO 2.5 PERIMETER mounting instructions for regressed dimensions

with trim flush



please see BASO 2.5 PERIMETER mounting instructions for regressed dimensions

Declare.

BASO 1.5 2.5 4.0
XAL USA Incorporated
Final Assembly: Collins, Connecticut, USA
 LBC Declaration's Member
 End of Life Options: Recyclable (70%), Landfill (30%)

Ingredients:
 Aluminum, 2-Propanol, Acryl, 2-methyl-, methyl ester, polymer
 with ethyl 2-oximinoethyl, Steel manufacture, Chemicals, Copper
 chloride (CuCl₂), Polyvinyl Chloride (Unstabilized Substrate)
 Poly(methyl Methacrylate (PMMA)), Polypropylene (PP)
 Copper Iron, Tin, Organic Solvents, Zinc

LBC Temp Exception RE-002 - Small Electrical Components

Living Building Challenge Criteria:

<ul style="list-style-type: none"> ■ H1 Red List ■ LBC Red List Free ■ LBC Red List Approved ■ Redwood ■ H10 Interior Performance Not Applicable ■ H14 Responsible Sourcing Not Applicable 	<ul style="list-style-type: none"> ■ W Disposed 100% at 100ppm ■ VOC Content, Not Applicable
---	---

XAL-0002
 8/31/21 REV 2/24
 Original Issue Date: 2021

INTERNATIONAL LIVING BUILDING CHALLENGE™ - <http://www.livingbuildingchallenge.com>

BASO mounting instructions

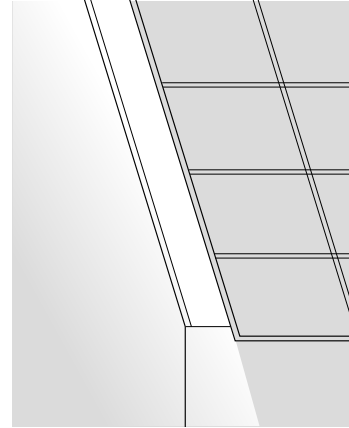
Get access to the BASO 2.5 mounting instructions faster by scanning the QR code.

www.xalusa.com/resources/mounting-instructions/baso

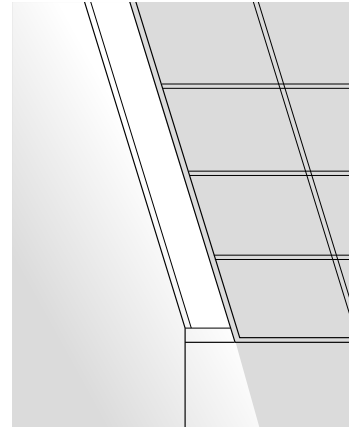
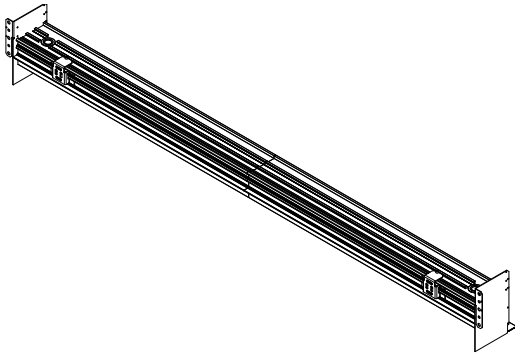


BASO 2.5 PERIMETER

Invisible endcap



Trimless endcap (RTR only)



Trim endcap (RTR only)

